

STARTAP

STARTAP

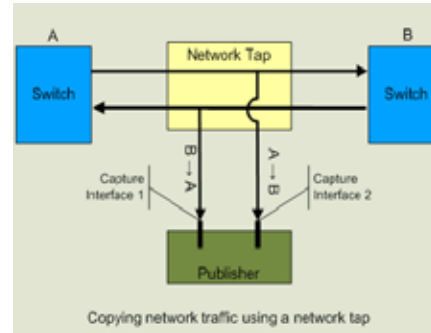
Starview Optical Network TAP



- Cost Effective
- Passive Equipment
- Compact Enclosure
- Low insertion loss
- User defined configuration for different split ratio and fiber optic types (SM/ MM)
- Flexible and Modular design with front access
- Maximum up to 24 links with monitoring ports in a 1RU chassis
- Industry standard color coding for fiber optic connectors

What is Network Tap?

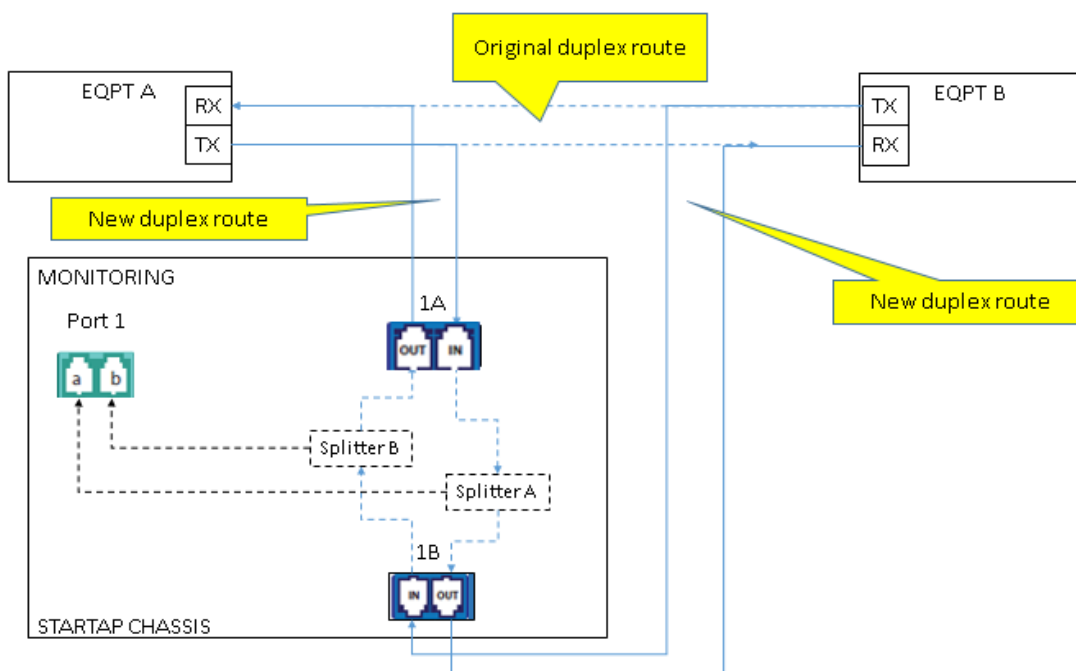
- Hardware device to provide a way to access the data flowing across a fiber optic network
- Consists of (at least) 3 ports: Port A from Equipment A TX port, Port B to Equipment B RX port, and a Monitoring Port
- In-line device to connect between 2 Transmission Network Equipment
- Protocol and Data rate transparent
- Available in Singlemode or Multimode taps



Types of Network Taps

Singlemode (SM)	Multimode (MM)
9/125um fiber optic splitter	50/125um or 60/125um fiber optic splitter
Supports CWDM, DWDM, 1310 or 1550nm SM wavelengths	Supports 850 or 1300nm MM wavelengths
Split Ratios available in 10/90, 20/80, 30/70, 40/60 or 50/50	
Passive component	
Insertion loss due to in line connection	

- STARview optical network TAP (STARTAP)
- Passive Optical Network Tap
- Support multiple network protocols, including high speed voice, video and data communications for networking, storage and wireless applications
- Ideal for applications such as:
 - Intrusion Detection System
 - Application Performance Monitoring
 - Packet Capture
 - Data Forensic



High Density STARTAP

Starview STARTAP modular-24 splitters with Chassis



Features

- Standard size, light weight and reasonable structure
- Front access for easy cable management
- Compact design for space saving
- Front mark on the plate is easy for identification and operation
- Easy for management and operation
- Supports Multimode and Singlemode fiber splitting
- Wide Operating Temperature from -40°C to 85°C
- High Reliability and Stability

Applications

- Transition from Backbone cabling to distribution switching
- Interconnect to active equipment in server cabinet
- Cross connect or inter-connect

Compliance

- Telcordia GR-1209-CORE
- Telcordia GR-1221-CORE
- RoHS

Specifications

Parameters		Singlemode	Multimode
Operating Wavelength		1260nm ~ 1620nm	850nm, 1300nm
	50/50	≤ 3.60 dB	≤ 4.20 dB
	30/70	≤ 6.00/ 1.90 dB	≤ 6.30/ 2.40 dB
Insertion Loss	20/80	≤ 7.90/ 1.20 dB	≤ 8.10/ 1.70 dB
	10/90	≤ 11.30/ 0.65 dB	≤ 11.60/ 1.20 dB
Directivity		≤ 50 dB	≤ 40 dB
Operating Temperature		-40°C to +85°C	-20°C to +70°C
Colour		Black	
Chassis Dimension		44mm x 482mm x 240mm 1RU	
Chassis Weight		2.8kg	
Module Dimension		189mm x 40mm x 13mm	
Module Weight		0.1kg	

Note: The splitter configuration can be tailored with the input ports, monitoring ports and output ports according to customer's requirement.



Starview STARTAP modular-24 splitters with chassis, comes with 24 modules of 6 x LC/UPC connectors each, enclosed in a 19" 1RU chassis. Each module is capable to equip 2 x 1:2 splitter ports, making it the most compact 1RU chassis to house up to 48 splitters altogether. Each Planar Lightwave Circuit (PLC) splitter performs optical power management fabricated using silica optical waveguide technology. It features small size, high reliability, wide operating wavelength range and good channel-to-channel uniformity, and is widely used in PON networks to realize optical signal power splitting. Starview provides a whole series of 1xN splitter products that are tailored for specific applications. All products meet GR-1209-CORE and GR-1221-CORE requirements.

19" Rack Mount Enclosure, 1RU for up to 24 x STARTAP modules. Individual rack mount fiber modules organize, manage and protect fiber optic splitters. The enclosure is constructed of steel material and the front access is designed to easily remove for cabling and connector installation.

Ordering Information

Chassis:

SVR-STARTAP-19C

Starview 19" High Density 1U height STARTAP chassis. Allows upto 24 High Density STARTAP modules to be installed in a standard 19" rack

SVR-BRACKET-23

Starview L-Bracket - 23" RACK MOUNT EAR KIT for STARMUX and STARTAP chassis

STARTAP High Density Modules:

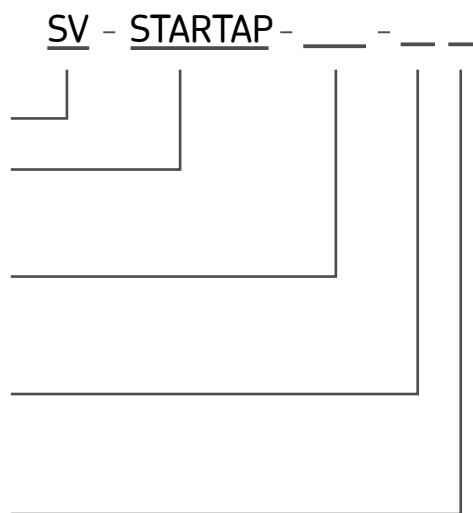
Manufacturer: Starview International

Type: Optical Fiber Tap

Splitter: 104: 1 x 1:4 High Density STARTAP
204: 2 x 1:2 High Density STARTAP

MON Port Value: 10: 10%
20: 20%
30: 30%
.....

Fiber Type: _ : Singlemode
M3 : Multimode(OM3)
M4 : Multimode(OM4)



Example:

SV-STARTAP-204-50

Starview 2 x 4 High Density STARTAP 9/125um singlemode splitter with 2 x Input port (LC/UPC) and 2 x 50% MON port (LC/UPC) and 2 x 50% output ports (LC/UPC)