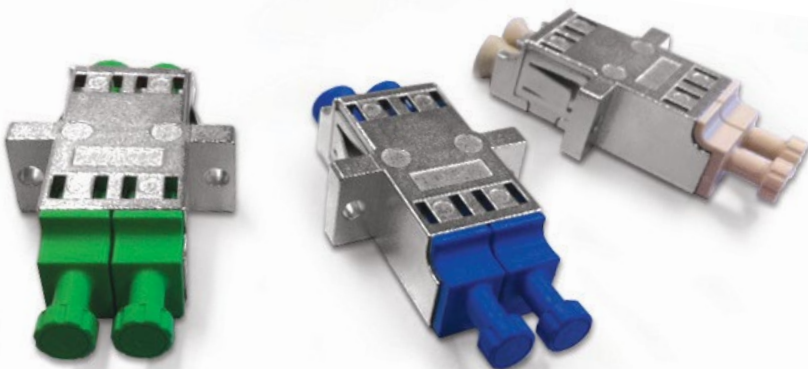
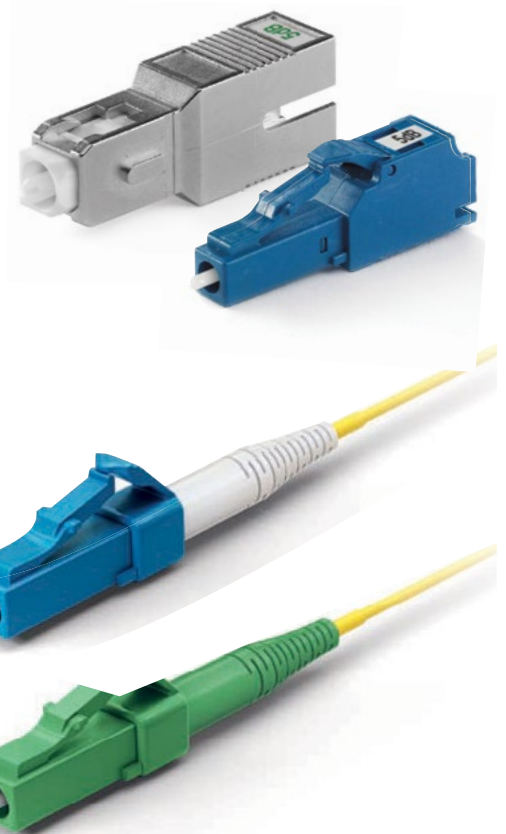


Accessories

Optical Connector
Optical Attenuators
Optical Adapters

Highest quality
and performance



- Cost Effective and fast lead time
- Low insertion loss
- Customized cable length and connectors
- Factory terminated and 100% tested
- Individually packaged with test results included

Accessories

Optical Adapters



Features

- Types: FC-LC, FC-SC, FC-ST, SC-ST...
- Low insertion loss, high return loss
- Good compatibility
- High precision of mechanical dimensions
- High reliability & stability
- Ceramic or Bronze Sleeve
- PC;APC;UPC optional
- Simplex / Duplex

Applications

- Local Area Network
- CATV System
- Telecommunication Networks
- Equipment Test

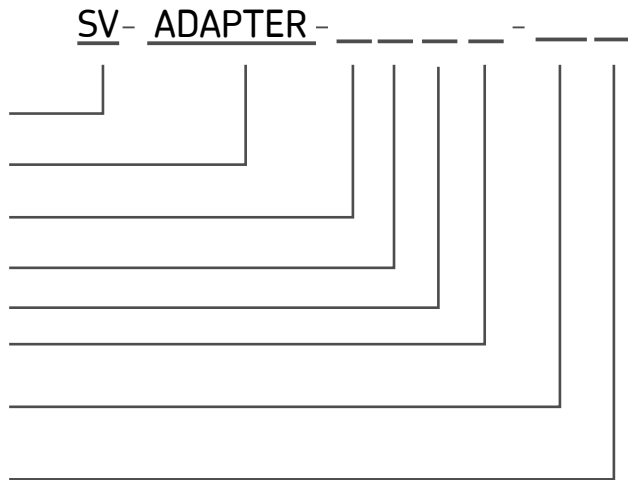
Ordering Information

Example:

SV-ADAPTER-LCULCU-SMS

Starview adapter with LC/UPC (Female) to LC/UPC (Female).
Singlemode type Simplex connector

Manufacturer:	Starview International
Type:	Optical Adapter
Connector Type #1:	SC:SC; FC:FC; ST:ST; LC:LC;
Polishing Grade #1:	U:UPC; A: APC
Connector Type #1:	SC:SC; FC:FC; ST:ST; LC:LC;
Polishing Grade #1:	U:UPC; A:APC
Ferrule:	SM: Singlemode MM: Multimode
Type:	S: Simplex Type D: Duplex Type



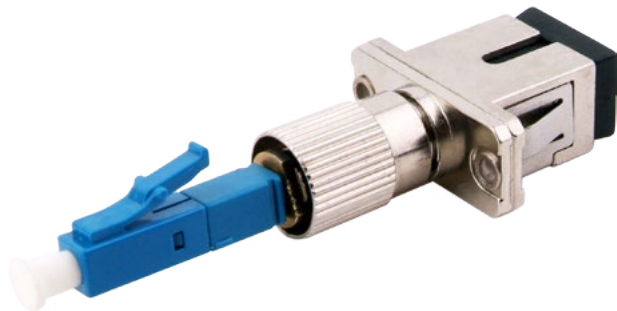


SC-LC Adapter

SVI highest quality adapter series available. They are used for referencing and for mass-production



FC-LC Adapter



SC-LC Adapter



FC-LC Adapter



ST-LC Adapter

Specifications

Fastening	LC, SC, FC, ST, SC-ST, FC-ST, FC-SC, FC-LC,			
Body	SM			MM
Ferrule	PC	UPC	APC	PC
Insertion Loss (Typical)	≤ 0.3dB	≤ 0.2dB	≤ 0.3dB	≤ 0.2dB
Return Loss	≥ 45dB	≥ 50dB	≥ 60dB	≥ 30dB
Exchangeability	≤ 0.2dB			
Repeatability	≤ 0.2dB			
Temperature	-40°C to 85°C			