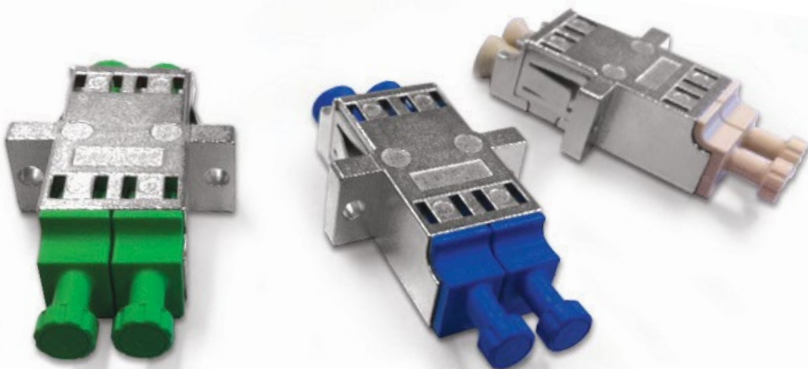
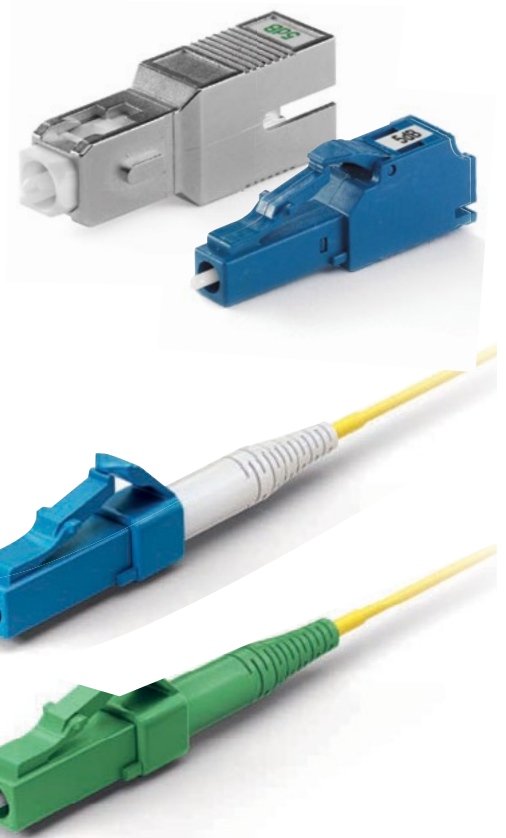


Accessories

Optical Connector
Optical Attenuators
Optical Adapters

Highest quality
and performance



- Cost Effective and fast lead time
- Low insertion loss
- Customized cable length and connectors
- Factory terminated and 100% tested
- Individually packaged with test results included

Accessories

Optical Connector



Features

- SC; LC; FC; ST Simplex or Duplex
- ANSI, IEC, TIA/EIA, NTT and JIS standard compatible
- Precision mechanical dimensions
- Zirconia ferrule PC or 8 degree APC diameter 125-128 μm high concentricity
- Single mode, Multimode and Angle PC
- Multi-piece type or one-piece type is available
- All parts compliant with ROHS

Applications

- Telecommunications network
- Active device termination
- CATV networks
- Local area networks.
- Broadband
- FTTH

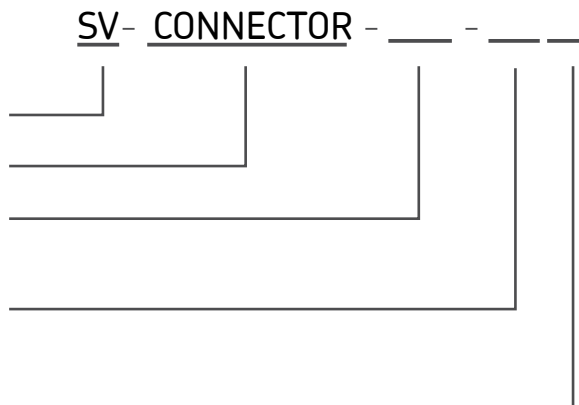
Ordering Information

Example:

SV-CONNECTOR-LC-SMD

Starview Singlemode LC connector, Simplex Type.

Manufacturer: Starview International
 Type: Optical Connector
 Connector Type: SC:SC; FC:FC; ST:ST; LC:LC;
 Ferrule: SM: Singlemode
 MM: Multimode
 AP: Apc
 Type: S: Simplex Type
 D: Duplex Type



Highest quality and performance



LC UPC 900µm



FC UPC 900µm



SC UPC 900µm



LC APC 2mm



FC APC 2mm



SC APC 2mm

Specifications

Parameters	SC	LC	FC	ST
Fastening	Push-pull	Plug-in	Threaded coupling	Bayonet fitting
Body	Plastic	Plastic	Metallic	Metallic
Ferrule	Ceramic	Ceramic	Ceramic	Ceramic
Ferrule diameter	2.5mm	1.5mm	2.5mm	2.5mm
Polish	PC/UPC/APC	PC/UPC	PC/UPC/APC	PC/UPC
Ferrule tolerance	125.0 ± 1µm	125.0 ± 1µm	125.0 ± 1µm	125.0 ± 1µm
	126.0 ± 1µm MM	126.0 ± 1µm MM	126.0 ± 1µm MM	126.0 ± 1µm MM
Insertion loss	≤ 0.20 dB PC	≤ 0.20 dB PC	≤ 0.20 dB PC	≤ 0.20 dB PC
	≤ 0.30 dB UPC	≤ 0.30 dB UPC	≤ 0.30 dB UPC	≤ 0.30 dB UPC
	≤ 0.45 dB APC		≤ 0.45 dB APC	
Return loss	≤ 0.45 dB UPC	≤ 0.45 dB UPC	≤ 0.45 dB PC	≤ 0.45 dB PC
	≤ 0.50 dB APC		≤ 0.50 dB APC	
Temperature	-40°C to 85°C	-40°C to 85°C	-40°C to 85°C	-40°C to 85°C
Durability	± 1db 500	± 1db 500	± 1db 500	± 1db 500
	Insertions	Insertions	Insertions	Insertions